



Atlassian Server|Cloud Consolidation and Migration

25 June, 2020



Table of Contents

| | | |
|-----|--|---|
| 1 | Introduction | 3 |
| 2 | Consolidation and Migration | 4 |
| 2.1 | Jira Migration and Merge Plan..... | 4 |
| 2.2 | Jira Cloud Preparation..... | 4 |
| 2.3 | Jira Server Preparation..... | 5 |
| 3 | Import to Jira Cloud..... | 6 |
| 3.1 | Process Diagram | 6 |
| 4 | Confluence | 7 |
| 4.1 | Confluence Migration and Merge Plan..... | 7 |
| 5 | Overall Timelines | 8 |



1 Introduction

Accxia was approached with a request from WebBeds, an organisation in the travel industry to assist with some Atlassian consulting, the basis for the consulting was to merge various new business acquisitions into one instance to reap the benefits consolidation can offer, these benefits include:

- Increased productivity
- Major cost savings in terms of license, infrastructure and administration
- Enhanced performance due to one single point of truth

One of the main reasons they approached Accxia with the request is the fact WebBeds wanted to get the merger and consolidation done right the first time without having any long term or ongoing issues. The customers requirement was to merge an Atlassian Server and Cloud instance and consolidate into a single Atlassian Cloud instance.

The consolidation and migration consisted of Jira Software and Confluence platforms, including various Atlassian marketplace applications.

The following process detailed below entails all the relevant steps involved in order to undertake and complete the consolidation and migration.



2 Consolidation and Migration

2.1 Jira Migration and Merge Plan

| Step(s) |
|--|
| Turn on Monthly Subscription to Atlassian Cloud to avoid import failure due to user limit. |
| Rename any duplicate project names that exist in both Cloud and Server to allow for consolidation. |
| Project in Cloud instance required change from next gen to classic project by moving it's issues to a classic project. |
| Determine Live migration date and prepare backups cut-off points. |
| Consider Backup duration time into the plan. |

2.2 Jira Cloud Preparation

| Step(s) |
|---|
| Install and setup latest version of Jira Server. |
| Install all required plugins as per Cloud Instance. |
| Set the JVM memory to 4 GB. |
| Set the jira-config.properties file to the following values: jira.websudo.is.disabled = true |
| Make sure the plugin Checklist has the option Save Custom Field data to ON. |
| Take Backup from Jira Cloud instance. |
| Import the backup and attachment to the latest installation of Jira version. |



| Step(s) |
|---|
| Perform a full system Re-Index. |
| Import Data to the Local Jira installation. |
| Run Integrity Checker. |
| Remove any configuration that points to missing objects. Only attend to errors. |
| Run a full project export without Issue attachments. |
| Copy attachments to the target Jira directory. |

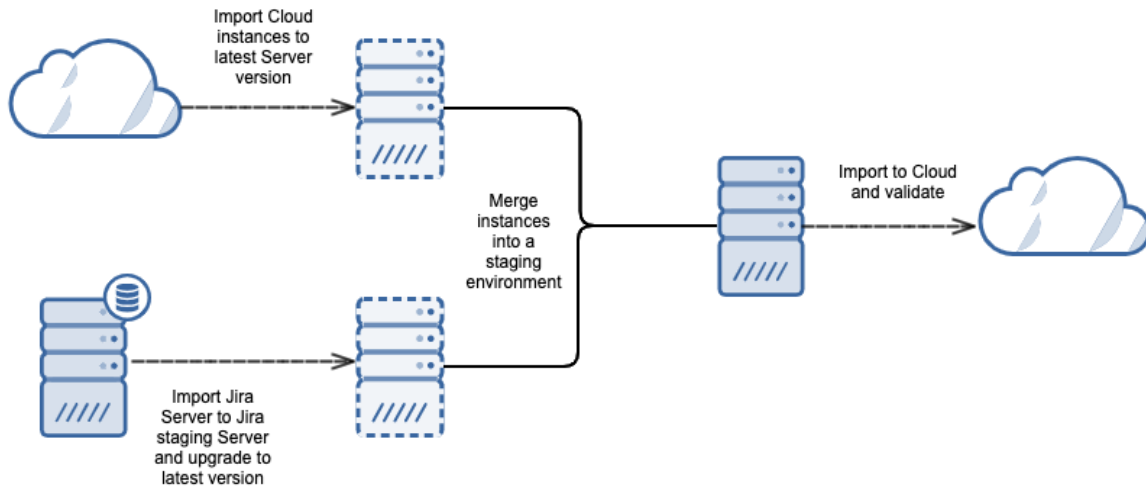
2.3 Jira Server Preparation

| Step(s) |
|--|
| Install and setup Jira Software -7.1.10. |
| Install Jira on a context path. |
| Install all required plugins. |
| Import Backup. |
| Upgrade to Latest version of Jira. |
| Run Integrity Checker and resolve issues. |
| Setup application link with Jira server imported for Cloud in the previous step. |
| Map the full project import and resolve any issues. |
| Index Jira. |
| Take XML Backup and zip attachments. |

3 Import to Jira Cloud

The import to Jira Cloud is done as per the Atlassian documentation provided on their website.

3.1 Process Diagram





4 Confluence

- Confluence migration is more streamlined than Jira. We can use the [Atlassian migration app](#) to test the migration from Server to Cloud.
- We need to ensure if any apps are going missing from the server version when migrated to Cloud.
- Check users and groups.
- Check if there are duplicated space names and resolve before migration.

4.1 Confluence Migration and Merge Plan

| Step(s) |
|---|
| Install Confluence Server version 6.2.3. |
| Import Confluence Server backup to the new Confluence Server instance. |
| Upgrade Confluence 6.2.3 to latest Confluence version. |
| Generate a backup from the Cloud instance and import it to a new trial instance for Cloud. |
| Use the Atlassian migration app to migrate spaces from the newly installed Confluence Server to the trial Confluence Cloud. |
| Resolve any conflicts, these might include usernames, groups, space keys. |



5 Overall Timelines

| Step(s) | Days |
|---------------------------------------|------------------|
| Migration analysis and planning. | 1 |
| Jira Server replication and upgrade. | 1 |
| Jira Cloud replication. | 1 |
| Jira merge. | 5 |
| Confluence Server setup and upgrade. | 1 |
| Confluence Cloud replication. | 0.5 |
| Import Confluence to trial Cloud. | 0.5 |
| End User Testing. | Covered by users |
| Production merge and upload to Cloud. | 3 |
| Post Go-live Support. | 1 |
| Total | 15.5 Days |